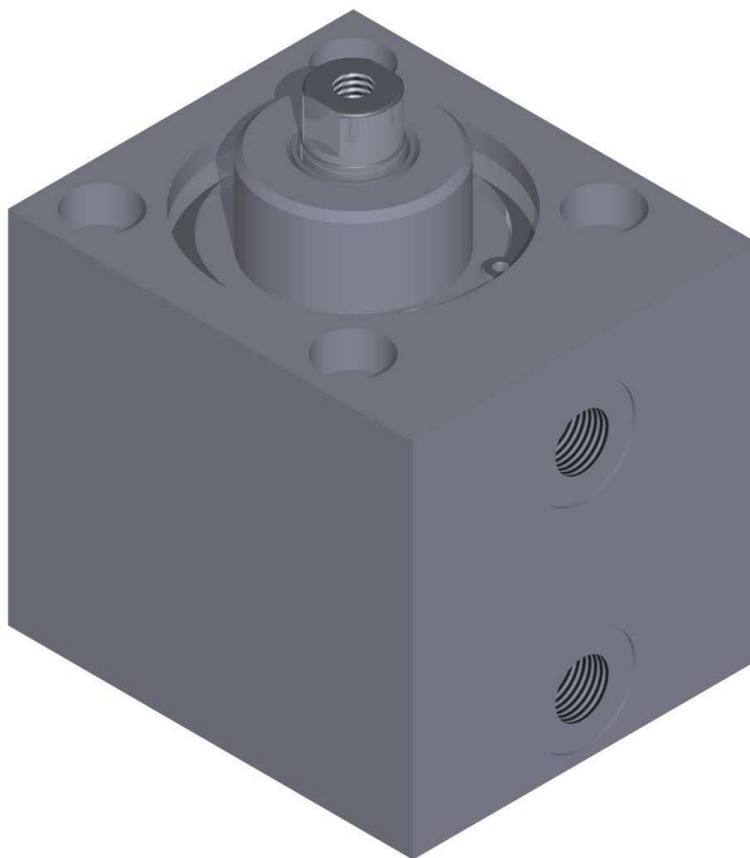
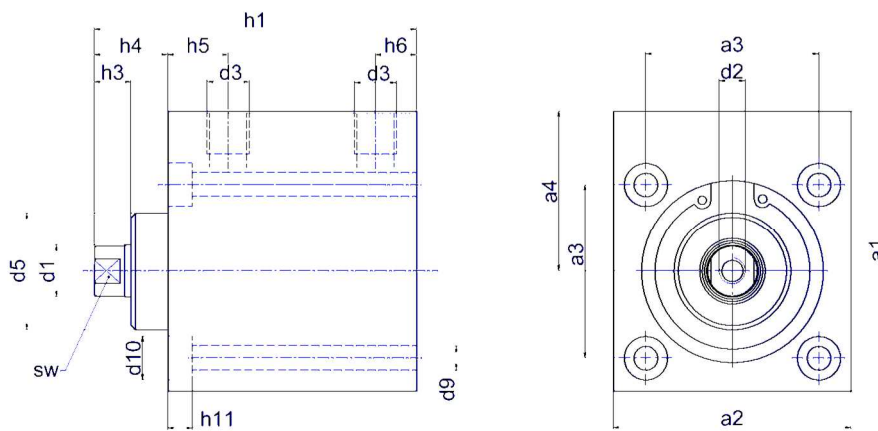
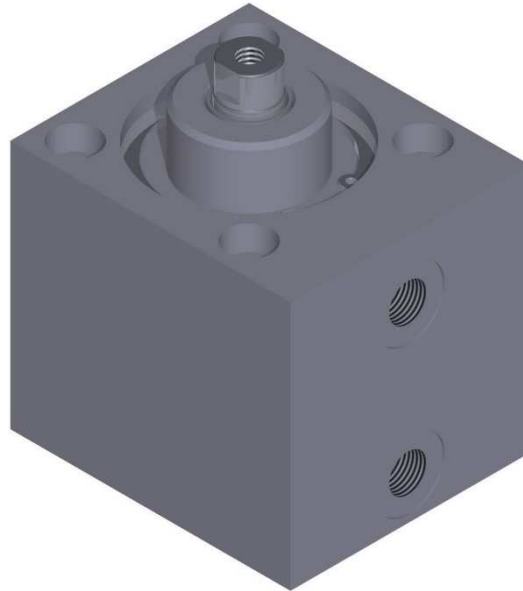


**SERIES 34**  
**Short stroke cylinder**  
**double effect**



Technical characteristics	
<b>Design type</b>	Short stroke cylinder Cylinder can be repaired easily
<b>Function</b>	Double effect
<b>Piston diameter in mm</b>	32, 40, 50, 63
<b>Stroke in mm</b>	25
<b>Pneumatic connection</b>	-G1/8
<b>Installation position</b>	Any
<b>Temperature range</b>	-20°C to +80°C
<b>Materials</b>	- Piston rod from stainless steel - Cylinder housing from aluminium, anodised
<b>Seals</b>	- Perbunan
<b>Damping</b>	Without damping
<b>Other</b>	- Heat-resistant seals upon request - Customer-specific solutions upon request - Seal kits upon request
Pneumatic parameters	
<b>Medium</b>	Compressed air quality: 2.2.1 compliant with ISO 8573-1 (2=particle / 2=dew point / 1=oil concentration)
<b>Operating pressure in bar</b>	1 to 10



Part no.	Piston Ø	Stroke	d1 Ø	d2	d3	d5 Ø	d9	d10	a1	a2	a3	a4	h1	h3	h4	h5	h6	h11	sw
00016-93	32	25	12	M6	G1/8	25	5.5	10	56	45	32	32	70.5	4.5	13	14	9.5	5.7	10
00016-94	40	25	12	M6	G1/8	27	5.5	10	64.5	55	40	37	74.5	8.5	17	14	9.5	5.7	10
00016-95	50	25	16	M8	G1/8	32	6.6	11	73.5	65	50	41	74.5	6	17	14	11	6.8	13
00016-96	63	25	16	M8	G1/8	38.5	9	15	87	80	62	47	77.5	9	17	16	11	9	13