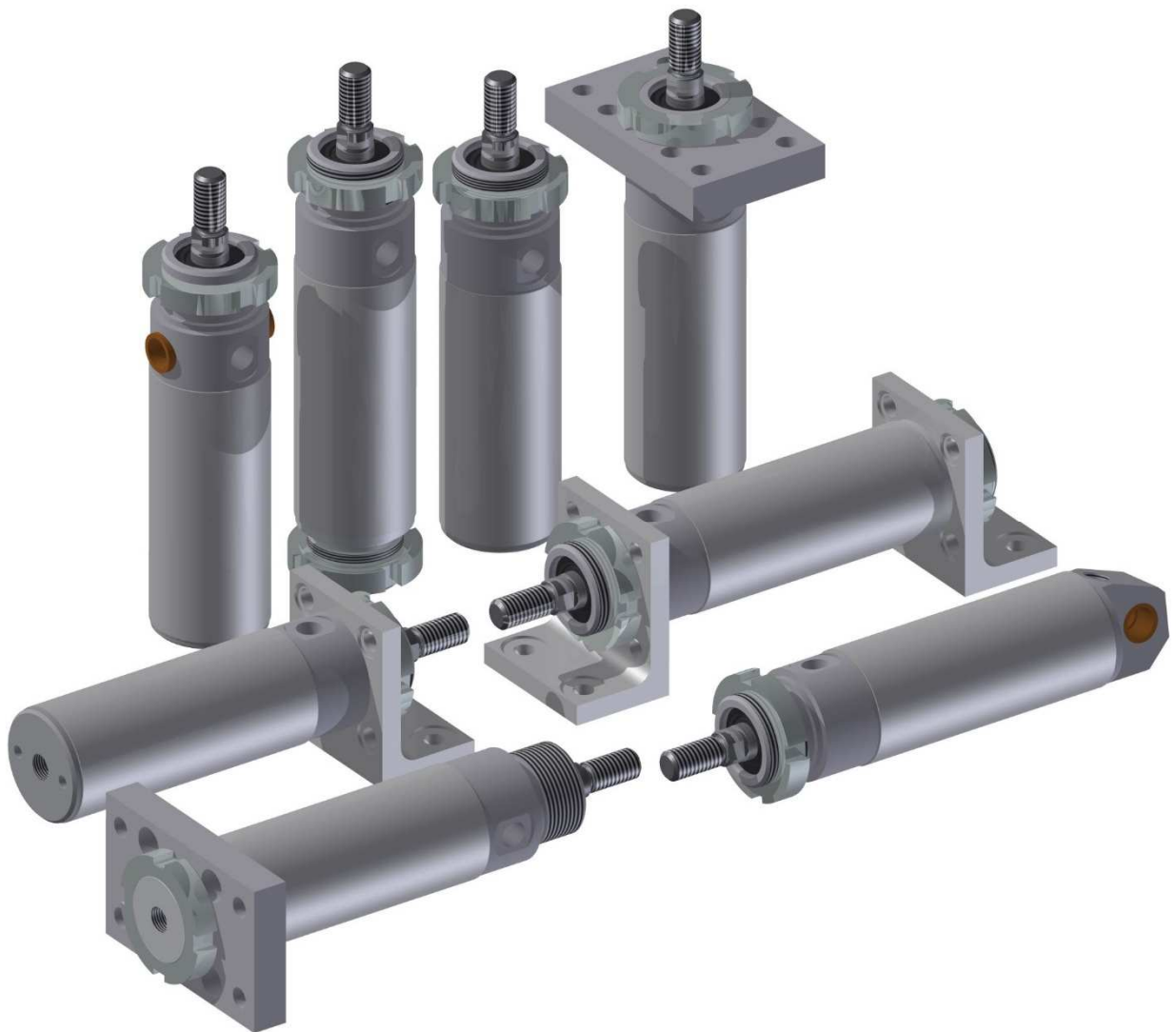


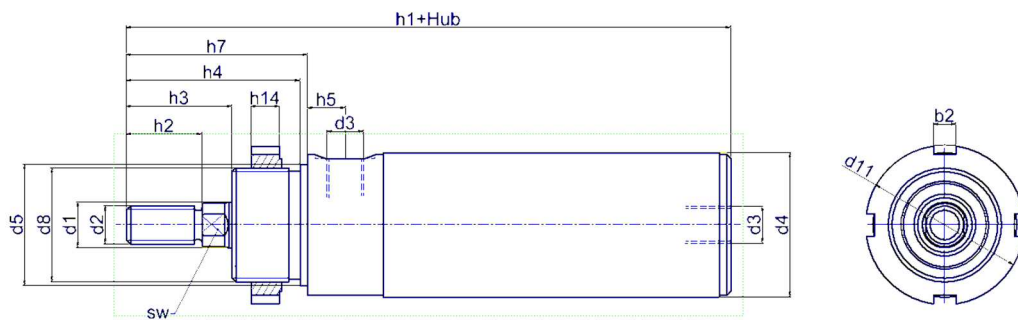
SERIES 50
Round cylinder
double effect



Technical characteristics	
Design type	Round cylinder Front and end pieces bolted together with the cylinder pipe, so these cylinders are repairable.
Function	Double effect
Piston diameter in mm	32, 40, 50, 63, 80, 100
Stroke length in mm	Freely selectable, max. 1,000
Pneumatic connection	G1/8, G1/4, G3/8, G1/2
Installation position	Any
Temperature range	-20°C to +80°C
Materials	- Piston rod from stainless steel - Cylinder pipe from aluminium, hard-anodised - Front and end pieces from aluminium, anodised
Seals	- Perbunan
Damping	End position damping by Vulkollan rings
Other	- Magnetic pistons upon request - Heat-resistant seals upon request - Customer-specific solutions upon request - Seal kits upon request
Pneumatic parameters	
Medium	Compressed air quality: 2.2.1 compliant with ISO 8573-1 (2=particle / 2=dew point / 1=oil concentration)
Operating pressure in bar	1 to 10

Mounting 53

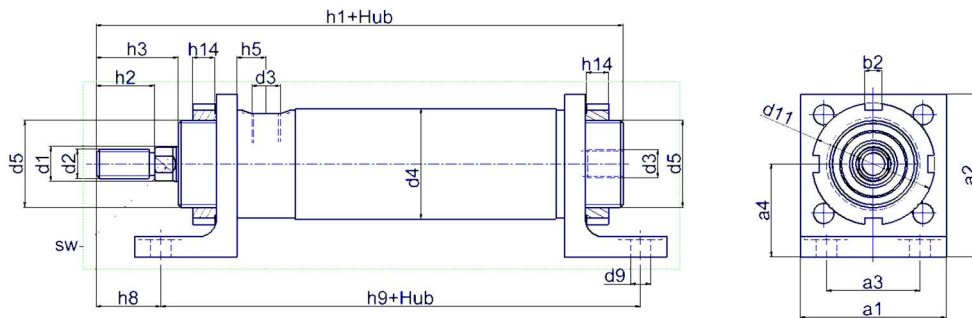
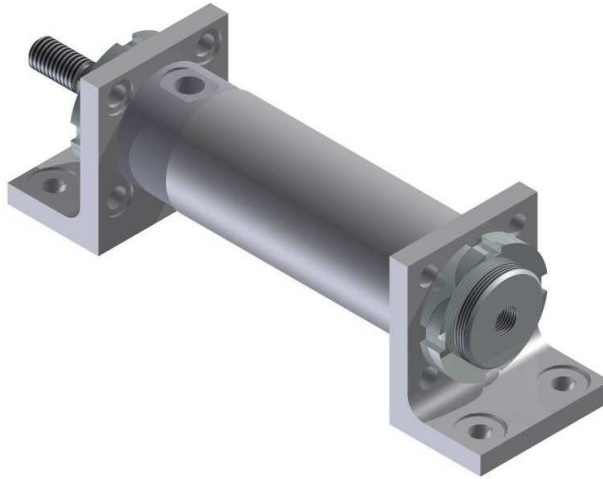
Front thread mounting



Piston Ø	d1 Ø	d2	d3	d4 Ø	d5 Ø h8	d8	d11 Ø	h1	h2	h3	h4	h5	h7	h14	b2	sw
32	12	M10	G1/8	38	32	M30x1.5	42	110	20	28	46	10	48	8	6	10
40	16	M12	G1/4	45	40	M38x1.5	50	120	24	33	53	11	66	10	7	13
50	20	M16x1.5	G1/4	55	45	M42x1.5	60	141	32	42	70	11	73	12	8	17
63	20	M16x1.5	G3/8	68	45	M42x1.5	60	154	32	42	70	15	73	12	8	17
80	25	M20x1.5	G3/8	86	60	M58x1.5	90	181	40	50	86	15	90	13	10	21
100	25	M20x1.5	G1/2	107	60	M58x1.5	90	190	40	50	90	17	95	13	10	21

Mounting 54

Front and rear foot mounting

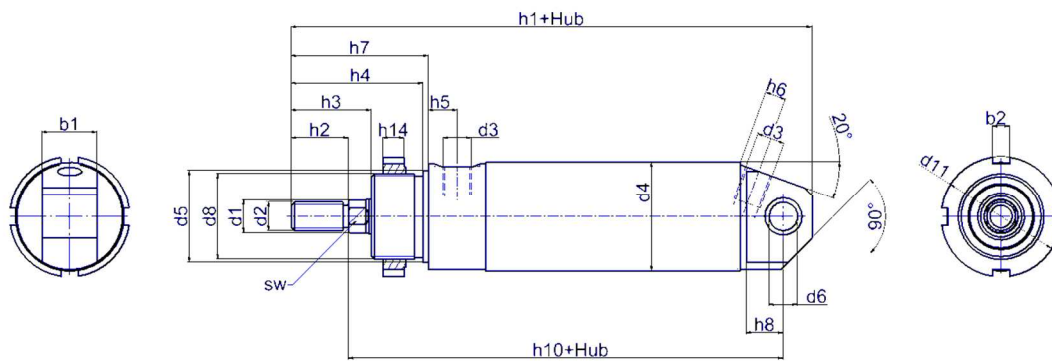


Piston Ø	d1 Ø	d2	d3	d4 Ø	d5	d9 Ø h13	d11 Ø	h1	h2	h3	h5	h8	h9	h14	a1	a2	a3 ±0.3
32	12	M10	G1/8	38	M30x1.5	7	42	130	20	28	10	22	114	8	50	56	32
40	16	M12	G1/4	45	M38x1.5	9	50	143	24	33	11	26	124	10	55	63	36
50	20	M16x1.5	G1/4	55	M42x1.5	9	60	165	32	42	11	37	140	12	70	79	45
63	20	M16x1.5	G3/8	68	M42x1.5	9	60	178	32	42	15	37	153	12	80	89	50
80	25	M20x1.5	G3/8	86	M58x1.5	12	90	211	40	50	15	45	181	13	100	112	63
100	25	M20x1.5	G1/2	107	M58x1.5	14	90	220	40	50	17	50	185	13	120	129	75

Piston Ø	a4	b2	sw
32	32	6	10
40	36	7	13
50	45	8	17
63	50	8	17
80	63	10	21
100	71	10	21

Mounting 55

Rear swivel mounting

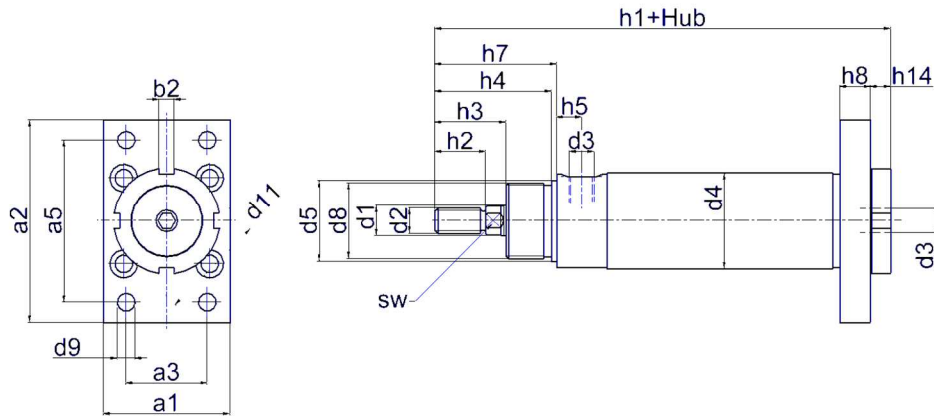


Piston Ø	d1 Ø	d2	d3	d4 Ø	d5 Ø h8	d6 Ø H8	d8	d11 Ø	h1	h2	h3	h4	h5	h6	h7	h8	h10	h14
32	12	M10	G1/8	38	32	10	M30x1.5	42	133	20	28	46	10	8	48	13	103	8
40	16	M12	G1/4	45	40	12	M38x1.5	50	149	24	33	53	11	10	56	17	113	10
50	20	M16x1.5	G1/4	55	45	12	M42x1.5	60	170	32	42	70	11	11	73	17	126	12
63	20	M16x1.5	G3/8	68	45	16	M42x1.5	60	190	32	42	70	15	13	73	20	142	12
80	25	M20x1.5	G3/8	86	60	16	M58x1.5	90	220	40	50	86	15	14	90	21	162	13
100	25	M20x1.5	G1/2	107	60	20	M58x1.5	90	235	40	50	90	17	20	95	25	175	13

Piston Ø	b1 -0.5	b2	sw
32	19	6	10
40	24	7	13
50	28	8	17
63	30	8	17
80	40	10	21
100	50	10	21

Mounting 56

Rear flange mounting

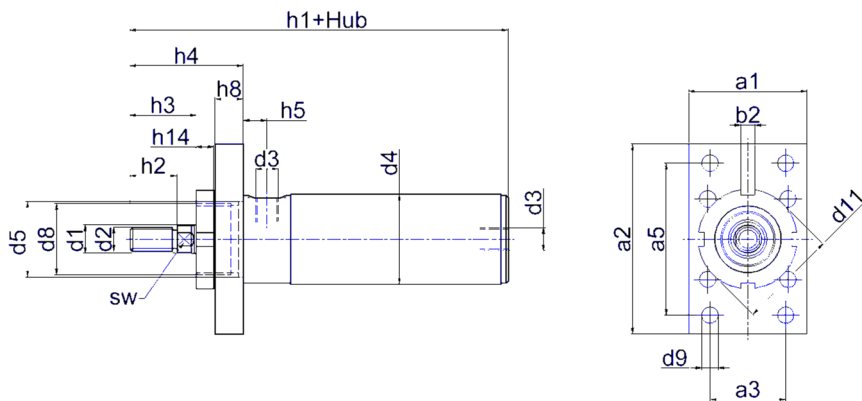
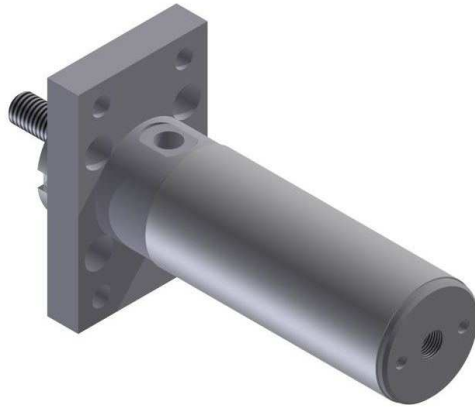


Piston Ø	d1 Ø	d2	d3	d4 Ø	d5 Ø h8	d8	d9 Ø H13	d11 Ø	h1	h2	h3	h4	h5	h7	h8	h14	a1	a2
32	12	M10	G1/8	38	32	M30x1.5	7	42	150	20	28	46	10	48	12	8	50	80
40	16	M12	G1/4	45	40	M38x1.5	9	50	167	24	33	53	11	56	12	10	55	90
50	20	M16x1.5	G1/4	55	45	M42x1.5	9	60	197	32	42	70	11	73	12	12	70	110
63	20	M16x1.5	G3/8	68	45	M42x1.5	9	60	210	32	42	70	15	73	12	12	80	120
80	25	M20x1.5	G3/8	86	60	M58x1.5	12	90	251	40	50	86	15	90	16	13	100	150
100	25	M20x1.5	G1/2	107	60	M58x1.5	14	90	260	40	50	90	17	95	16	13	120	180

PistonØ	a3	a5	b2	sw
32	32	64	6	10
40	36	72	7	13
50	45	90	8	17
63	50	100	8	17
80	63	126	10	21
100	75	150	10	21

Mounting 57

Front flange mounting

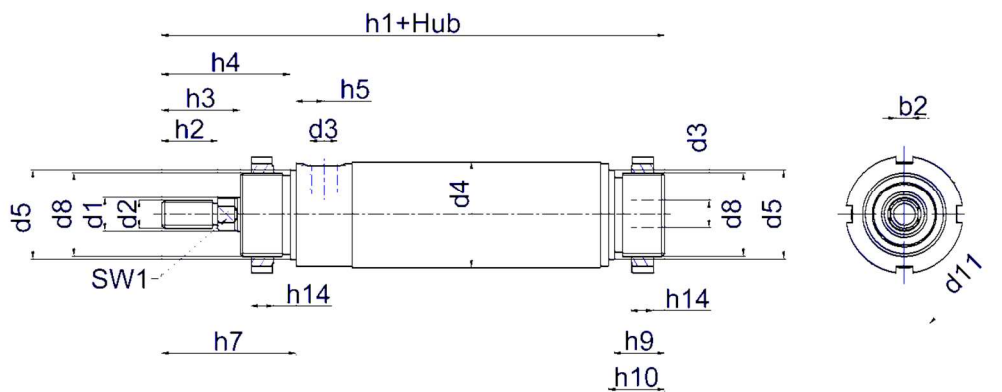


Piston Ø	d1 Ø	d2	d3	d4 Ø	d5 Ø h8	d8	d9 Ø H13	d11 Ø	h1	h2	h3	h4	h5	h8	h14
32	12	M10	G1/8	38	32	M30x1.5	7	42	110	20	28	48	10	12	8
40	16	M12	G1/4	45	40	M38x1.5	9	50	120	24	33	56	11	12	10
50	20	M16x1.5	G1/4	55	45	M42x1.5	9	60	141	32	42	73	11	12	12
63	20	M16x1.5	G3/8	68	45	M42x1.5	9	60	154	32	42	73	15	12	12
80	25	M20x1.5	G3/8	86	60	M58x1.5	12	90	181	40	50	90	15	16	13
100	25	M20x1.5	G1/2	107	60	M58x1.5	14	90	190	40	50	95	17	16	13

PistonØ	a1	a2	a3	a5	b2	sw
32	50	80	32	64	6	10
40	55	90	36	72	7	13
50	70	110	45	90	8	17
63	80	120	50	100	8	17
80	100	150	63	126	10	21
100	120	180	75	150	10	21

Mounting 63

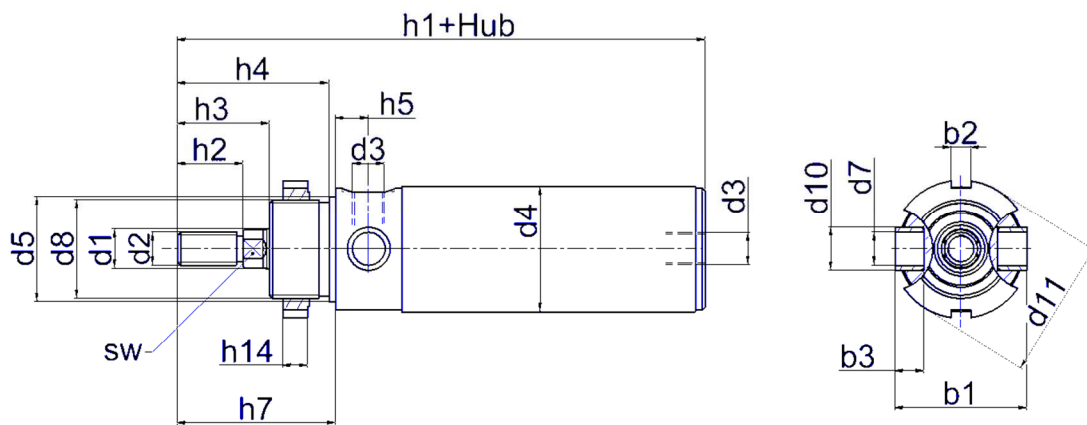
Front and rear thread mounting



PistonØ	d1 Ø	d2	d3	d4 Ø	d5 Ø h8	d8	d11 Ø	h1	h2	h3	h4	h5	h7
32	12	M10	G1/8	38	32	M30x1.5	42	130	20	28	46	10	48
40	16	M12	G1/4	45	40	M38x1.5	50	143	24	33	53	11	56
50	20	M16x1.5	G1/4	55	45	M42x1.5	60	165	32	42	70	11	73
63	20	M16x1.5	G3/8	68	45	M42x1.5	60	178	32	42	70	15	73
80	25	M20x1.5	G3/8	86	60	M58x1.5	90	211	40	50	86	15	90
100	25	M20x1.5	G1/2	107	60	M58x1.5	90	220	40	50	90	17	95

Piston Ø	h9	h10	h14	b2	sw
32	18	20	8	6	10
40	20	23	10	7	13
50	21	24	12	8	17
63	21	24	12	8	17
80	26	30	13	10	21
100	25	30	13	10	21

Mounting 65 Front swing mounting

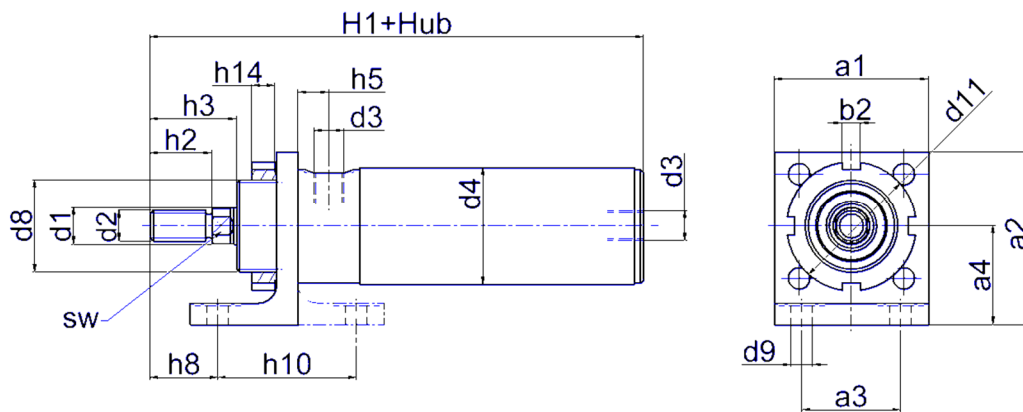


PistonØ	d1 Ø	d2	d3	d4 Ø	d5 Ø h8	d7 Ø H8	d8	d10 Ø	d11 Ø	h1	h2	h3	h4	h5
32	12	M10	G1/8	38	32	10	M30x1.5	13	42	130	20	28	46	10
40	16	M12	G1/4	45	40	12	M38x1.5	16	50	143	24	33	53	11
50	20	M16x1.5	G1/4	55	45	12	M42x1.5	16	60	165	32	42	70	11
63	20	M16x1.5	G3/8	68	45	16	M42x1.5	22	60	178	32	42	70	15
80	25	M20x1.5	G3/8	86	60	16	M58x1.5	22	90	211	40	50	86	15
100	25	M20x1.5	G1/2	107	60	20	M58x1.5	26	90	220	40	50	90	17

PistonØ	h7	h14	b1	b2	b3	sw
32	48	8	40	6	8.5	10
40	56	10	50	7	11	13
50	73	12	60	8	13	17
63	73	12	74	8	14	17
80	90	13	92	10	19	21
100	95	13	112	10	24	21

Mounting 74

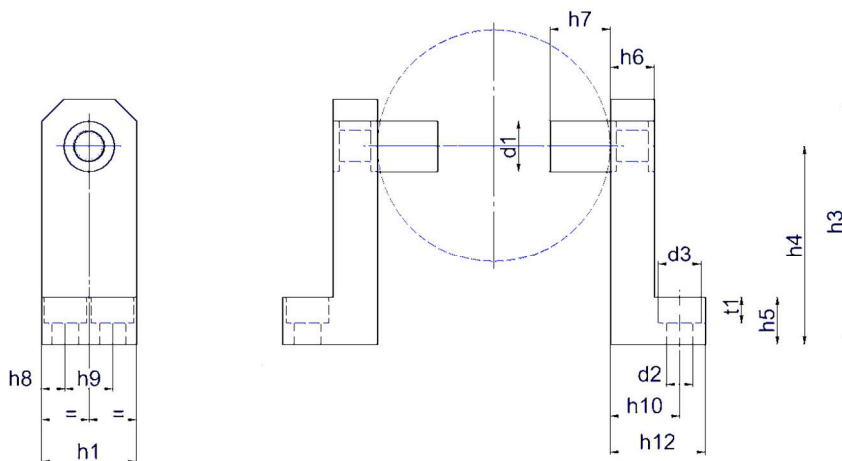
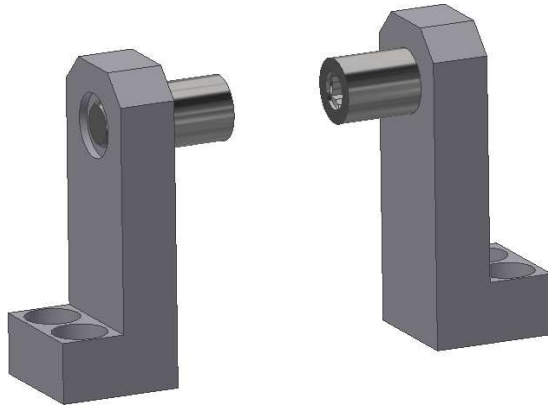
Front foot mounting



Piston Ø	d1 Ø	d2	d3	d4 Ø	d8	d9 Ø H13		d11 Ø	h1	h2	h3	h5	h8	h10	h14
32	12	M10	G1/8	38	M30x1.5	7		42	130	20	28	8	22	47	10
40	16	M12	G1/4	45	M38x1.5	9		50	143	24	33	10	26	55	11
50	20	M16x1.5	G1/4	55	M42x1.5	9		60	165	32	42	12	37	68	11
63	20	M16x1.5	G3/8	68	M42x1.5	9		60	178	32	42	12	37	68	15
80	25	M20x1.5	G3/8	86	M58x1.5	12		90	211	40	50	13	45	84	15
100	25	M20x1.5	G1/2	107	M58x1.5	14		90	220	40	50	13	50	89	17

Piston Ø	a1	a2	a3 ± 0.3	a4	b2	sw
32	50	56	32	32	6	10
40	55	63	36	36	7	13
50	70	79	45	45	8	17
63	80	89	50	50	8	17
80	100	112	63	63	10	21
100	120	129	75	71	10	21

Bearing block
with bearing pins



Part no.	for piston Ø	d1 Ø h9	d2 Ø	d3 Ø	h1	h2	h3	h4	h5	h6	h7	h8	h9	h10	t1
00006-76	32	10	5.3	9.4	22	22	42	32	12	10	8.5	6	10	16	5.2
00006-77	40	12	6.4	10.4	25	25	48	36	12	12	11	6.5	12	18	6.2
00006-78	50	12	6.4	10.4	25	25	57	45	13	12	13	6.5	12	18	6.2
00006-79	63	16	8.4	13.5	30	30	65	50	15	14	14	7.5	15	22	8.3
00006-80	80	16	8.4	13.5	30	30	78	63	15	14	19	7.5	15	22	8.3
00006-81	100	20	10.5	16.5	40	40	91	71	21	20	24	10	20	30	10.5