

**DP series  
Plastic round cylinder  
double effect**



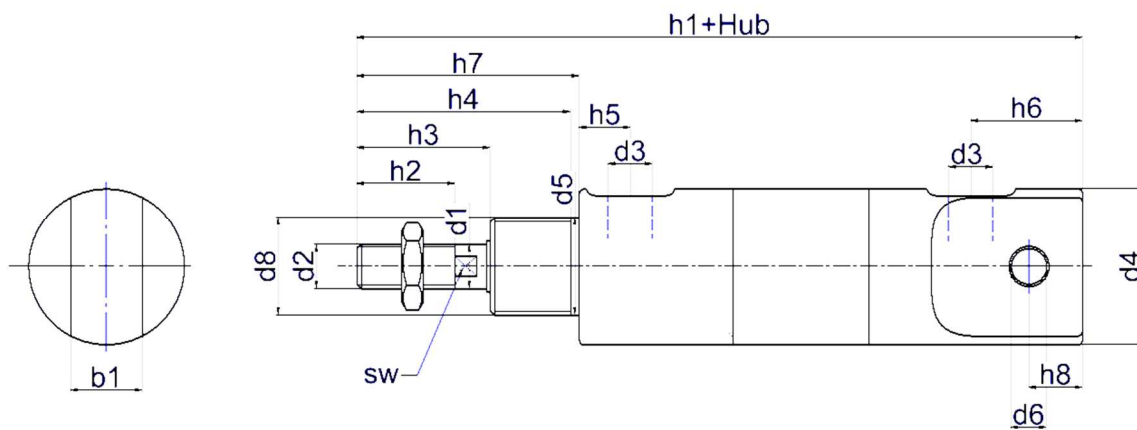
Technical characteristics	
<b>Design type</b>	Plastic round cylinder. Hygienic and easy to clean thanks to their round and smooth design. Low-weight Front and end pieces bolted together with the cylinder pipe, so these cylinders are repairable.
<b>Function</b>	Double effect
<b>Piston diameter in mm</b>	12, 16, 20, 25
<b>Stroke length in mm</b>	Freely selectable, max. 1,000 mm
<b>Connection</b>	M5, G1/8
<b>Installation position</b>	Any
<b>Temperature range</b>	-20°C to +40°C
<b>Materials</b>	- Piston rod from stainless steel, 1.4301 - Cylinder housing made from POM, white, FDA-compliant
<b>Stripper</b>	Ambient temperature [°C] -20 to +40 Seal material <sup>1</sup> PU Fulfils the criteria of EU regulation no. 10/2011 The material has been constructed in compliance with FDA regulations.
<b>Other seals</b>	- Perbunan
<b>Damping</b>	Elastic end position damping
<b>Lubricant</b>	Approved to USDA-H1

<b>Others upon request</b>	<ul style="list-style-type: none"> <li>- Stripper version from UHMWPE<sup>1</sup> for dry run</li> <li>- Stripper version from Viton<sup>1</sup>, white FDA-compliant</li> <li>- Heat-resistant seals</li> <li>- Customer-specific solutions</li> <li>- Seal kits</li> </ul>
<b>Medium</b>	<p>Compressed air quality: 2.2.1 compliant with ISO 8573-1 (2=particle / 2=dew point / 1=oil concentration) and VDMA 15390. Take into account the environmental influences in the operating location when you choose the method of filtering and drying compressed air. The operator must choose the filter, dryer and oil classes compliant with ISO 8573-1. For assistance in choosing the compressed air quality, refer to VDMA 15390. Avoid switching from oiled compressed air to non-oiled compressed air or vice versa, for example, for the entire service life. Due to the variety of ambient influences, we cannot assume any liability and warranty for the correctness of our recommendations in individual cases.</p>
<b>Operating pressure in bar</b>	8

1) Gaskets are suitable for aggressive media as found in the foodstuffs and chemical industry. If necessary, inspect the materials for their resistance to the media. Due to the variety of potential media, we cannot assume any liability and warranty for the correctness of our recommendations in individual cases.

## Mounting 70

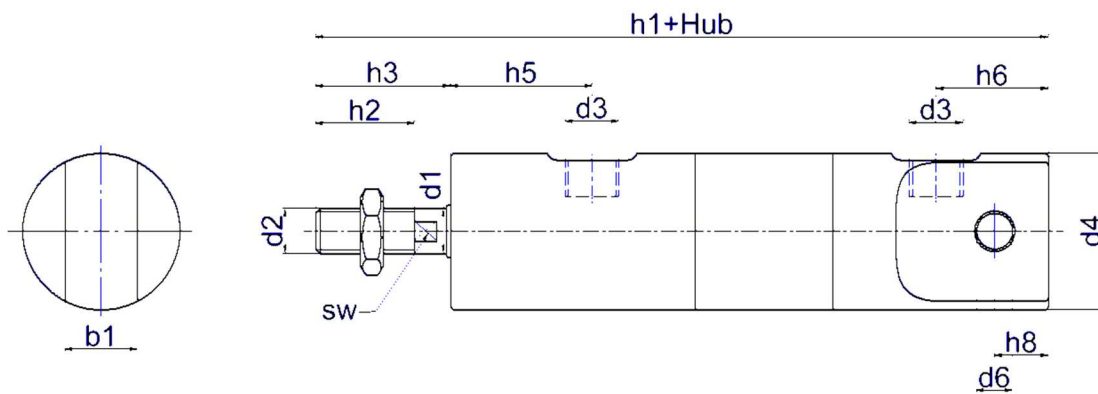
### Front thread mounting and rear swivel mounting



KØ	d1 Ø	d2	d3	d4 Ø	d6 Ø H8	d8	h1	h2	h3	h4	h5	h6	h7	h8	b1	SW
12	6	M6	M5	20	6	M16x1.5	100	16	23	36	8	20	38	9	12	5
16	6	M6	M5	25	6	M16x1.5	107	16	23	36	8	23	38	9	12	5
20	8	M8	G1/8	30	8	M22x1.5	127	20	27	42	11.5	26.5	44	12	16	7
25	10	M10x1.25	G1/8	35	8	M22x1.5	138	22	30	48	11.5	25	50	12	16	9

## Mounting 55

### Rear swivel mounting



KØ	d1 Ø	d2	d3	d4 Ø	d6 Ø H8	h1	h2	h3	h5	h6	h8	b1	sw
12	6	M6	M5	20	6	100	16	23	23	20	9	12	5
16	6	M6	M5	25	6	107	16	23	23	23	9	12	5
20	8	M8	G1/8	30	8	127	20	27	28.5	26.5	12	16	7
25	10	M10x1.25	G1/8	35	8	138	22	30	31.5	25	12	16	9