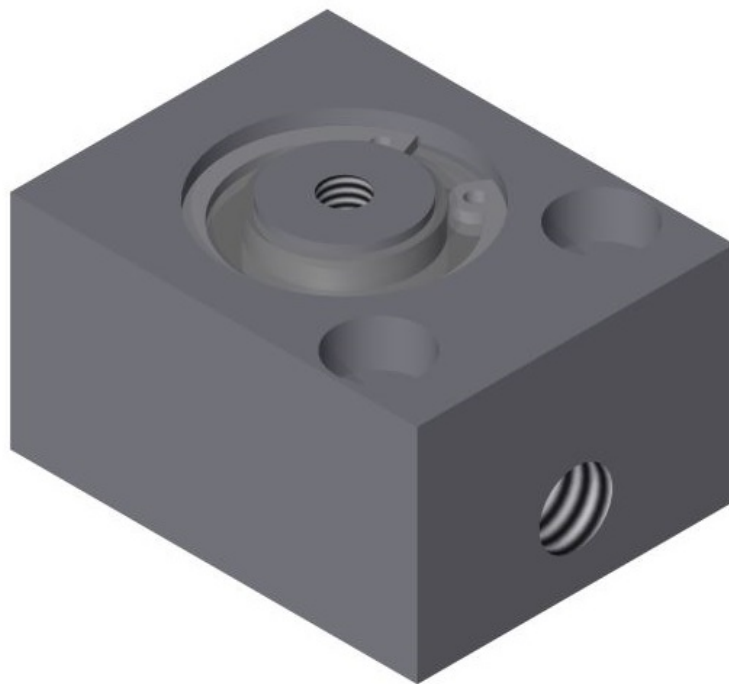
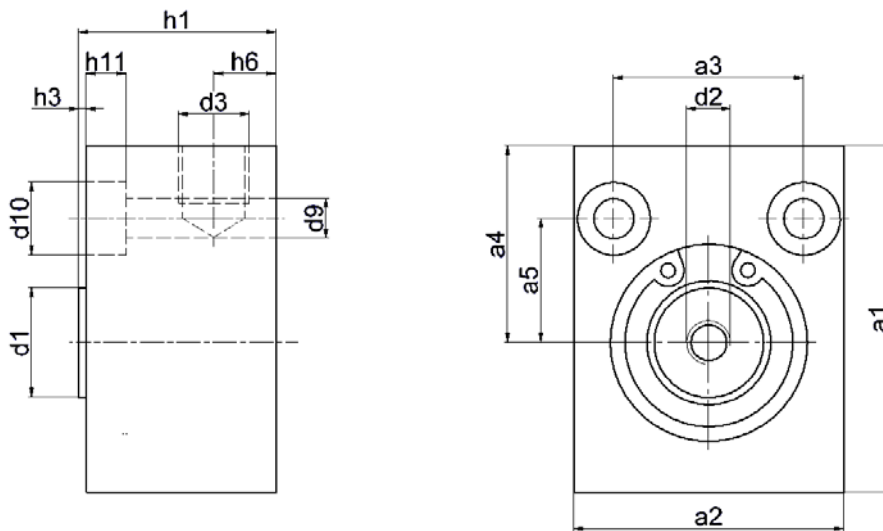
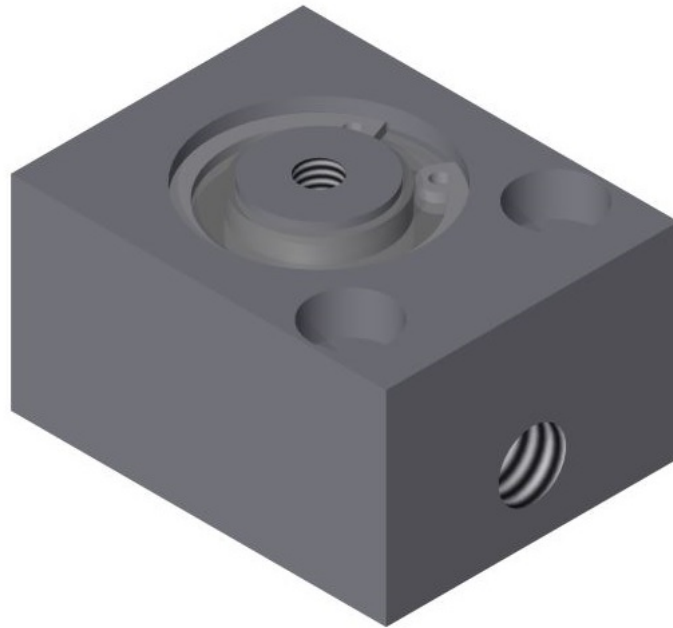


**SERIES 24**  
**Short stroke cylinder**  
**Single effect with spring reset**



Technical characteristics	
<b>Design type</b>	Short stroke cylinder Cylinder can be repaired easily
<b>Function</b>	Single effect with spring reset
<b>Piston diameter in mm</b>	12, 16, 20, 25
<b>Stroke in mm</b>	4, 5
<b>Pneumatic connection</b>	- M5 - G1/8
<b>Installation position</b>	Any
<b>Temperature range</b>	-20°C to +80°C
<b>Materials</b>	- Piston rod from stainless steel - Cylinder housing from aluminium, anodised
<b>Seals</b>	- Perbunan
<b>Damping</b>	Without damping
<b>Other</b>	- Heat-resistant seals upon request - Customer-specific solutions upon request - Seal kits upon request
Pneumatic parameters	
<b>Medium</b>	Compressed air quality: 2.2.1 compliant with ISO 8573-1 (2=particle / 2=dew point / 1=oil concentration)
<b>Operating pressure in bar</b>	1 to 10



Part no.	Piston Ø	Strok e	d1 Ø	d2	d3	d9 Ø	d10 Ø	a1	a2	a3	a4	a5	h1	h3	h6	h11
0007-76	12	4	5	-	M5	3.4	6	25	20	13	16	9	17	1	7	3.4
00017-76	16	4	10	-	M5	5.5	10	40	32	20	24	15	21	1	7.5	5.7
00011-04	20	4	10	M5	G1/8	5.5	10	40	32	20	24	15	21	1	9.5	5.7
00010-87	25	5	15	M6	G1/8	5.5	10	55	45	32	32	18	27	1	9.5	5.7