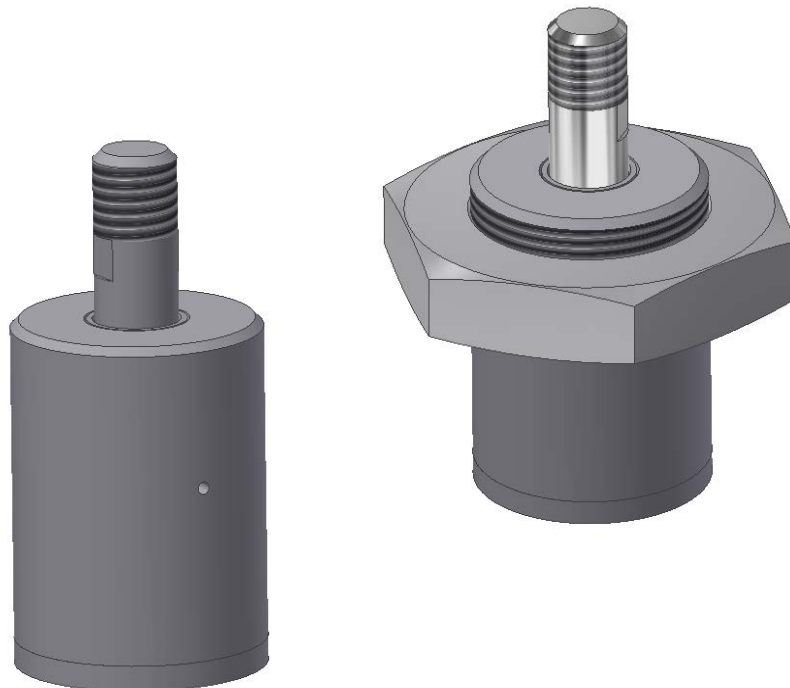


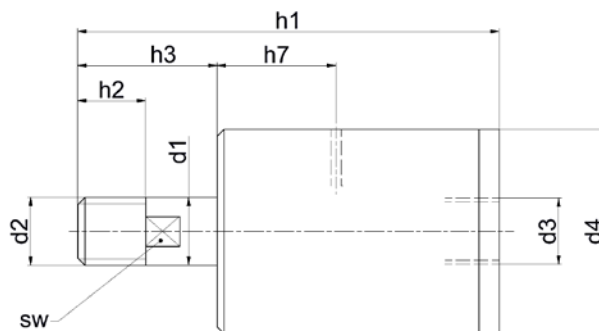
SERIES 25
Round cylinder
Single effect with spring reset



Technical characteristics	
Design type	Round cylinder Cylinder can be repaired easily.
Function	Single effect with spring reset
Piston diameter in mm	8, 12, 16, 20, 25
Stroke in mm	6
Pneumatic connection	-M5 -G1/8
Installation position	Any
Temperature range	-20°C to +80°C
Materials	- Piston rod from stainless steel - Cylinder housing from brass
Seals	- Perbunan
Damping	Without damping
Other	- Heat-resistant seals upon request - Customer-specific solutions upon request - Seal kits upon request
Pneumatic parameters	
Medium	Compressed air quality: 2.2.1 compliant with ISO 8573-1 (2=particle / 2=dew point / 1=oil concentration)
Operating pressure in bar	1 to 10

Mounting 51

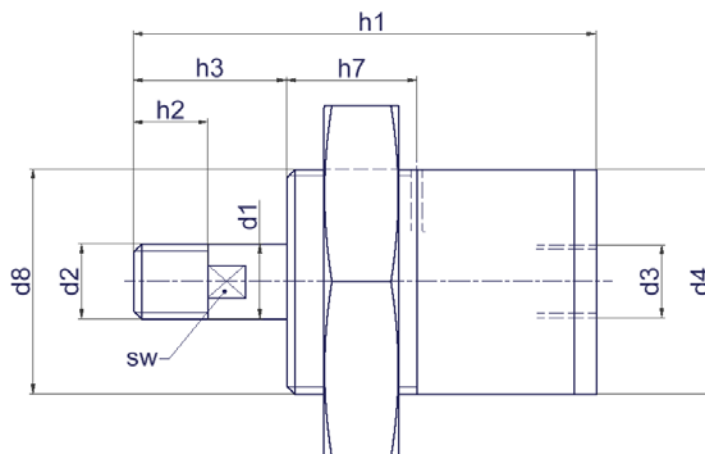
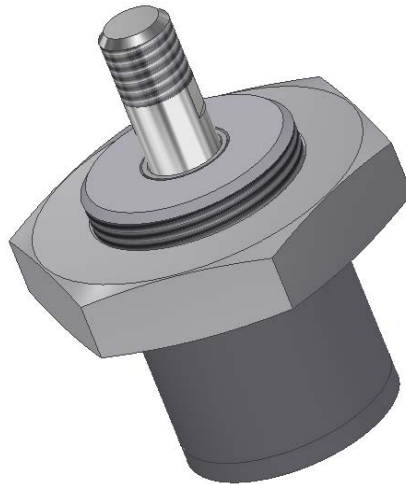
Basic design



Part no.	Piston Ø	Stroke	d ₁ Ø	d ₂	d ₃	d ₄ Ø	h ₁	h ₂	h ₃	h ₅	sw
00016-46	8	6	4	M4	M5	12	33	8	8	6.5	-
00016-47	12	6	5	M5	M5	16	36.5	8	10	9.5	-
00016-48	16	6	6	M6	M5	20	45	10	12	12	-
00016-49	20	6	8	M8	G1/8	25	52	10	16	15	7
00016-50	25	6	10	M10	G1/8	30	61.5	10	20	17.5	9

Mounting 53

Front thread mounting



Part no.	PistonØ	Stroke	d ₁ Ø	d ₂	d ₃	d ₄ Ø	d ₈	h ₁	h ₂	h ₃	h ₇	sw
00007-51	8	6	4	M4	M5	12	M12x1,5	33	8	8	12	-
00016-52	12	6	5	M5	M5	16	M16x1,5	36.5	8	10	12	-
00016-53	16	6	6	M6	M5	20	M20x1,5	45	10	12	12	-
00010-85	20	6	8	M8	G1/8	25	M24x1,5	52	10	16	15	7
00016-55	25	6	10	M10	G1/8	30	M30x1,5	61.5	10	20	17.5	9