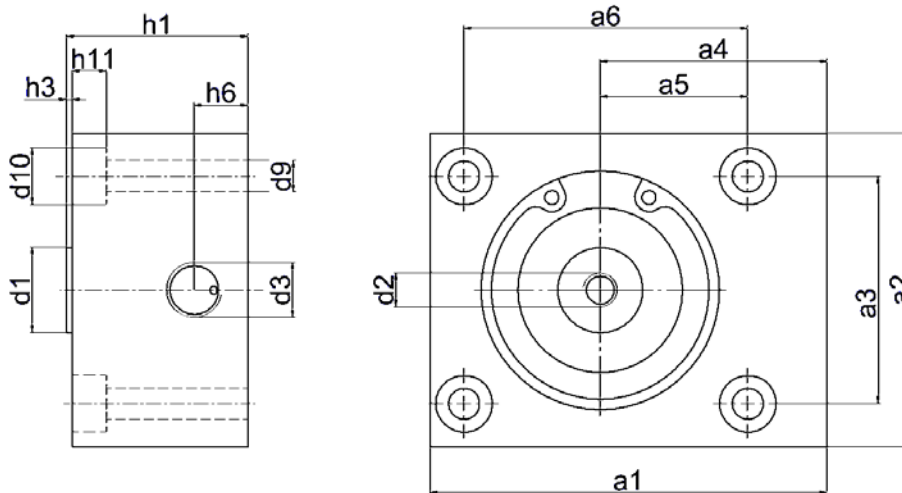
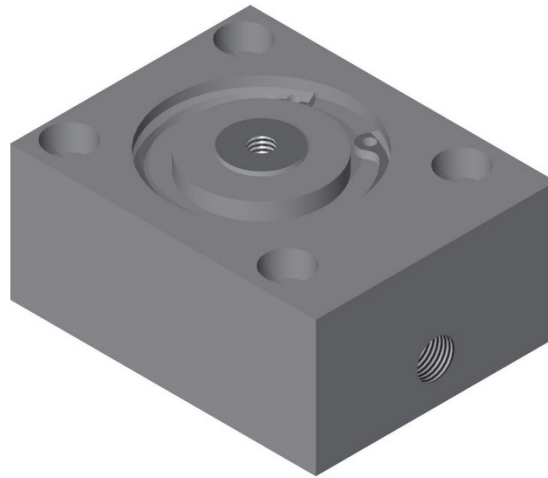


SERIES 44
Short stroke cylinder
Single effect with spring reset



Technical characteristics	
Design type	Short stroke cylinder Cylinder can be repaired easily
Function	Single effect with spring reset
Piston diameter in mm	32, 40, 50, 63
Stroke in mm	5, 10
Pneumatic connection	- G1/8, - G1/4
Installation position	Any
Temperature range	-20°C to +80°C
Materials	- Piston rod from stainless steel - Cylinder housing from aluminium, anodised
Seals	- Perbunan
Damping	Without damping
Other	- Heat-resistant seals upon request - Customer-specific solutions upon request - Seal kits upon request
Pneumatic parameters	
Medium	Compressed air quality: 2.2.1 compliant with ISO 8573-1 (2=particle / 2=dew point / 1=oil concentration)
Operating pressure in bar	1 to 10



Part no.	Piston Ø	Stroke	d1 Ø	d2	d3	d9 Ø	d10 Ø	h1	h3	h6	h11	a1	a2	a3	a4	a5	a6
00018-41	32	5	15	M6	G1/8	5.5	10	27	1	9.5	5.7	55	45	32	32	18	-
00018-40	40	5	15	M6	G1/8	5.5	10	27	1	9.5	5.7	70	55	40	40	26	50
00018-39	50	10	16	M8	G1/4	6.6	11	31	1	11	6.8	80	65	50	47.	25	50
00004-88	63	10	16	M8	G1/4	9	15	36	1	11	9	90	80	62	50	31	62