

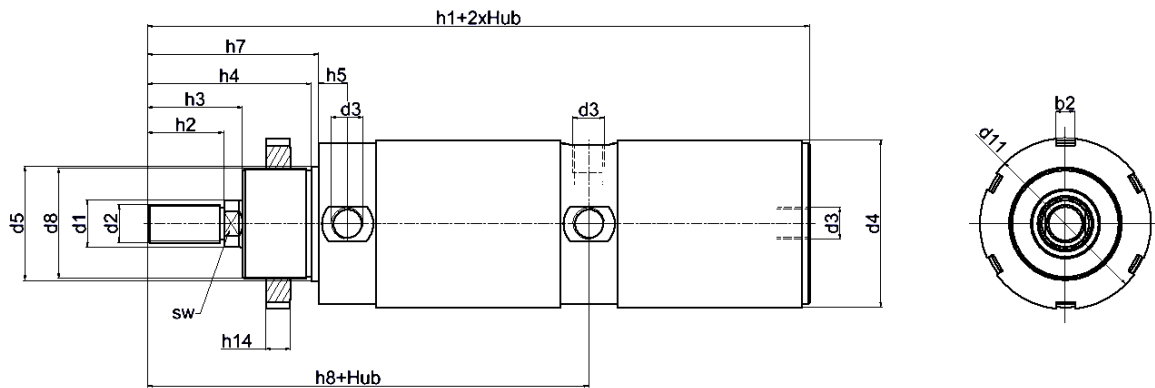
SERIES 58
Tandem cylinder
Double effect



Technical characteristics	
Design type	Tandem cylinder Front and end pieces bolted together with the cylinder pipe, so these cylinders are repairable.
Function	- Double effect - One-way stroke direction
Piston diameter in mm	32, 40, 50, 63, 80, 100
Stroke length in mm	Freely selectable, max. 1,000
Pneumatic connection	G1/8, -G1/4, G3/8, G1/2
Installation position	Any
Temperature range	-20°C to +80°C
Materials	- Piston rod from stainless steel - Cylinder pipe from aluminium, hard-anodised - Front and end pieces from aluminium, anodised
Seals	- Perbunan
Damping	End position damping by Vulkollan rings
Other	- Magnetic pistons upon request - Heat-resistant seals upon request - Customer-specific solutions upon request - Seal kits upon request
Pneumatic parameters	
Medium	Compressed air quality: 2.2.1 compliant with ISO 8573-1 (2=particle / 2=dew point / 1=oil concentration)
Operating pressure in bar	1 to 10

Mounting 53

Front thread mounting



Piston Ø	d1 Ø	d2	d3	d4 Ø	d5 Ø h8	d8	d11 Ø	h1	h2	h3	h4	h5	h7	h8	h14	b2	sw
32	12	M10	G1/8	38	32	M30x1.5	42	169	20	28	46	10	48	117	8	6	10
40	16	M12	G1/4	45	40	M38x1.5	50	181	24	33	53	11	56	128	10	7	13
50	20	M16x1.5	G1/4	55	45	M42x1.5	60	206	32	42	70	11	73	149	12	8	17
63	20	M16x1.5	G3/8	68	45	M42x1.5	62	231	32	42	70	15	73	165	12	8	17
80	25	M20x1.5	G3/8	86	60	M58x1.5	90	268	40	50	86	15	90	192	13	10	21
100	25	M20x1.5	G1/2	106	60	M58x1.5	90	281	40	50	90	17	95	203	13	10	21

For mounting options see series 50